



MARATHON ARCHITECTURE
2682 BARCLAY BLVD.
LINCOLNSHIRE, IL 60069

STRUCTURAL SYSTEM
PLANS

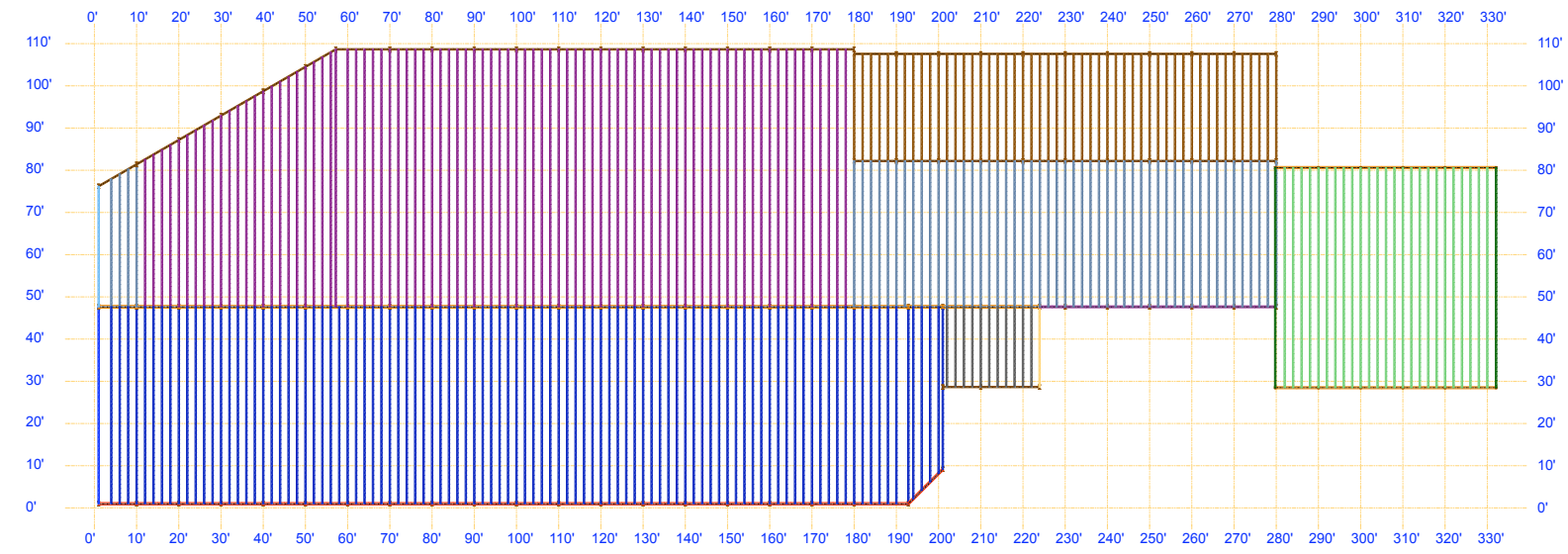
"PAGE 6 of 10"

FULL

3-16-10

KEITH MADDEN

STEVENSON HIGH SCHOOL
TECHNOLOGY EDUCATION DEPARTMENT
TECHNICAL DRAWING PROGRAM
ADVANCED TECHNICAL DRAWING



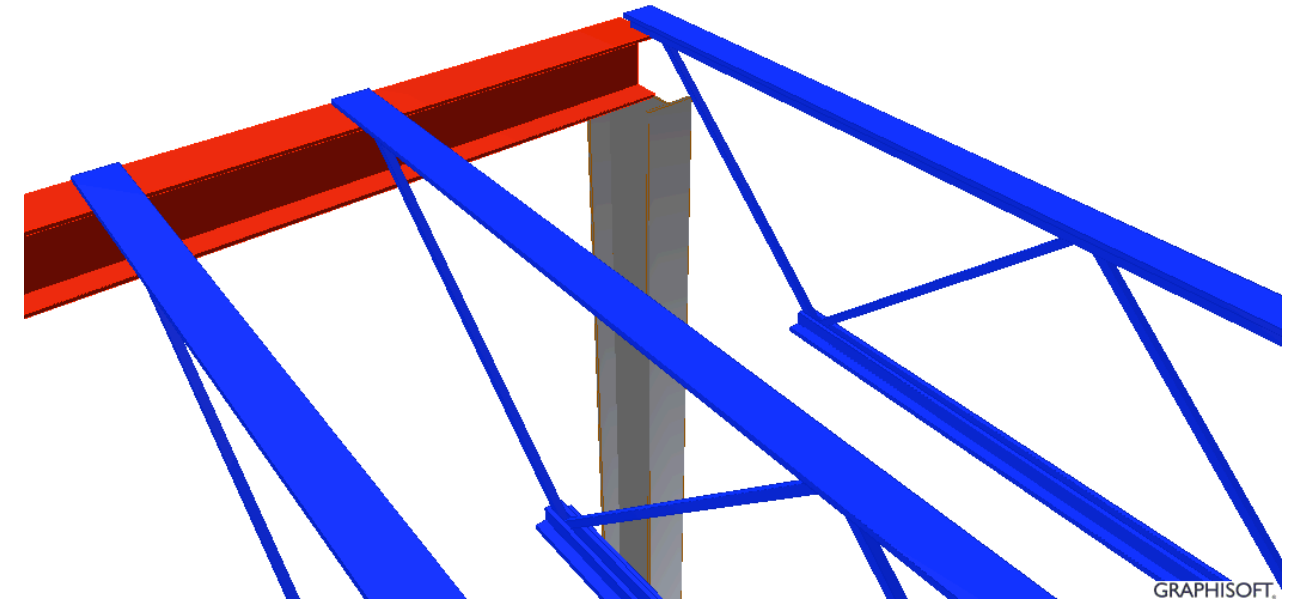
PLAN VIEW

STRUCTURAL SCHEDULE								
TRUSSES			BEAMS			COLUMNS		
SYM	DESIGNATION	QTY	SYM	DESIGNATION	QTY	SYM	DESIGNATION	QTY
ET1	32LH07	2	EB1	W8 x 24	20	CC1	W5 x 16	4
ET2	18LH02	1	EB2	W8 x 13	2	CC2	W12 x 30	10
ET3	18LH02	1	EB3	W8 x 18	6			
ET4	28LH07	1	EB4	W10 x 22	10			
IT1	32LH12	25	EB5	W10 x 12	10			
IT2	20LH09	55	EB6	W12 x 22	18			
IT3	18LH03	11	IB1	W12 x 40	20			
IT4	32LH11	100	IB2	W12 x 22	10			
IT5	32LH15	84						
IT6	18LH05	51						

ArchiCAD Educational version, not for resale. Courtesy of Graphisoft.

ArchiCAD Educational version, not for resale. Courtesy of Graphisoft.

ENLARGED 3D CORNER



GRAPHISOFT.

GRAPHISOFT.

3D VIEW

